

LLHB4



LLHB4-50W



LLHB4-100W



LLHB4-150W



LLHB4-200W



LLHB4-300W

LLHB4-410W

LLHB4-500W

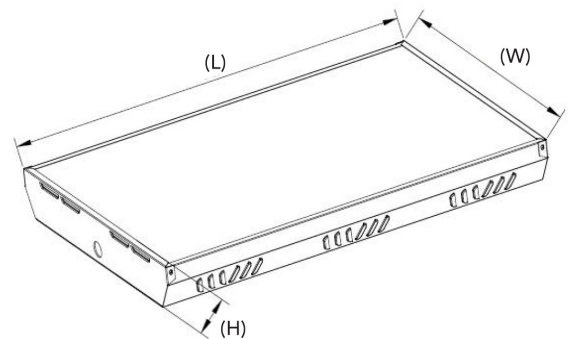
TECHNICAL SPECIFICATIONS:

- :: Housing: Aluminum
- :: Lens: Clear PMMA (Plastic)
- :: LED SMD type: Edison 2835
- :: Damp Location rated
- :: Input Voltage: 120V-277V AC
- :: Dimmable (0~10V dimming)
- :: 5-year warranty



(Except
50W & 300W & 410W
& 500W)

C6



LED LINEAR HIGH BAYS

CATALOG NO.	WATTS	LUMENS	COLOR TEMP	DIMENSIONS
LLHB4-50W-50K-D	50W	7750LM	5000K	12-1/2"(L) x 13-3/4"(W) x 1-3/4"(H)
LLHB4-50W-40K-D	50W	7750LM	4000K	12-1/2"(L) x 13-3/4"(W) x 1-3/4"(H)
LLHB4-100W-50K-D	100W	15500LM	5000K	24-1/4"(L) x 13-3/4"(W) x 1-3/4"(H)
LLHB4-100W-40K-D	100W	15500LM	4000K	24-1/4"(L) x 13-3/4"(W) x 1-3/4"(H)
LLHB4-150W-50K-D	150W	23250LM	5000K	24-1/4"(L) x 17-3/4"(W) x 1-3/4"(H)
LLHB4-150W-40K-D	150W	23250LM	4000K	24-1/4"(L) x 17-3/4"(W) x 1-3/4"(H)
LLHB4-200W-50K-D	200W	31000LM	5000K	47-7/8"(L) x 13-3/4"(W) x 1-3/4"(H)
LLHB4-200W-40K-D	200W	31000LM	4000K	47-7/8"(L) x 13-3/4"(W) x 1-3/4"(H)
LLHB4-300W-50K-D	300W	46500LM	5000K	47-7/8"(L) x 17-3/4"(W) x 1-3/4"(H)
LLHB4-300W-40K-D	300W	46500LM	4000K	47-7/8"(L) x 17-3/4"(W) x 1-3/4"(H)
LLHB4-410W-50K-D	410W	53300LM	5000K	47-7/8"(L) x 17-3/4"(W) x 1-3/4"(H)
LLHB4-500W-50K-D	500W	62500LM	5000K	47-7/8"(L) x 13"(W) x 3"(H)